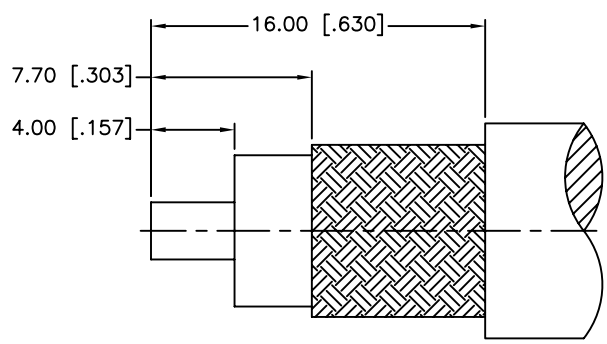
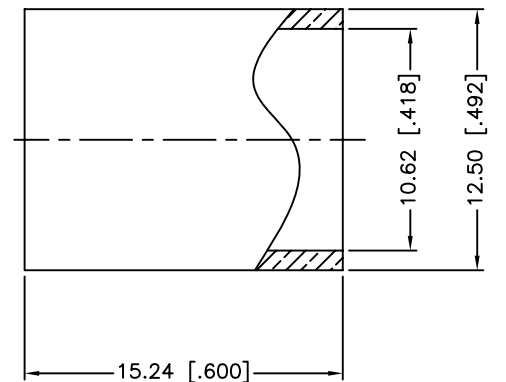
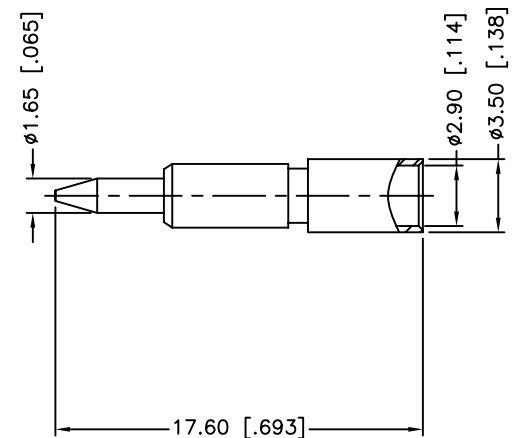
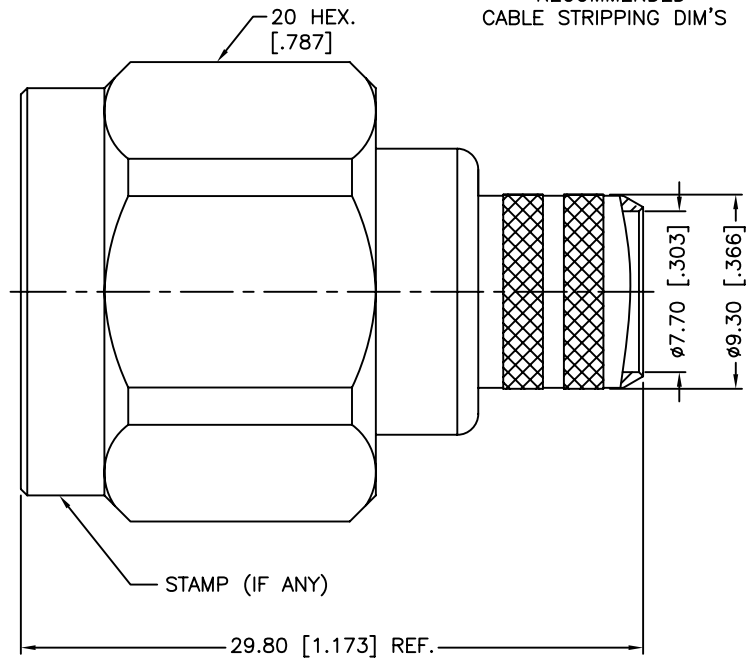


| REV. | DATE | ECR NO. | DESCRIPTION |
|------|----------|---------|-----------------|
| NC | 07/11/11 | XXXXXX | INITIAL RELEASE |



RECOMMENDED
CABLE STRIPPING DIM'S



1. CRIMPED FERRULE
HEX CRIMP SIZE .429"
2. CRIMPED CONTACT PIN
HEX CRIMP SIZE .118"

| | | | | |
|---|---------------|----------|---------|-----|
| 8 | FERRULE | COPPER | NEXCOTE | 1 |
| 7 | CONTACT PIN | BRASS | GOLD | 1 |
| 6 | RETAINER RING | SUS 304 | NATURAL | 1 |
| 5 | GASKET | SILICONE | RED | 1 |
| 4 | INSULATOR | PTFE | NATURAL | 1 |
| 3 | BARREL | BRASS | NEXCOTE | 1 |
| 2 | BODY | BRASS | NEXCOTE | 1 |
| 1 | SHELL | BRASS | NEXCOTE | 1 |
| | DESCRIPTION | MATERIAL | FINISH | QTY |

UNLESS OTHERWISE SPECIFIED DIMENSIONS ARE IN MILLIMETERS. DIMENSIONS IN [] ARE IN INCHES AND FOR CUSTOMER REFERENCE ONLY.

UNLESS OTHERWISE SPECIFIED TOLERANCES FOR MILLIMETERS ARE:
0.5 - 8mm ± 0.20mm
8 - 30mm ± 0.40mm
30 - 120mm ± 0.50mm

UNLESS OTHERWISE SPECIFIED TOLERANCES FOR INCHES ARE:
.020 - .315 ± 0.007"
.315 - 1.180 ± 0.015"
1.180 - 4.724 ± 0.020"

DO NOT SCALE DRAWING

| APPROVALS | DATE |
|-----------------------------|----------|
| DRAWN M.ZHANG | 07/11/11 |
| CHECKED | |
| ISSUED | |
| SHEET 1 OF 1 | |
| CAD FILE | |
| C:/CONNEX/172102H243HEX.DWG | |

Amphenol Connex

PART DESCRIPTION
**N CRIMP PLUG W/HEX NUT
(FOR B9913 LMR400 CABLE)**

PART NO.
172102H243HEX

| | | | | | | | |
|----------|-------------------|------|----|------|---|-------|----|
| DWG. NO. | 172102H243HEX.DWG | REV. | NC | SIZE | A | SCALE | NA |
|----------|-------------------|------|----|------|---|-------|----|